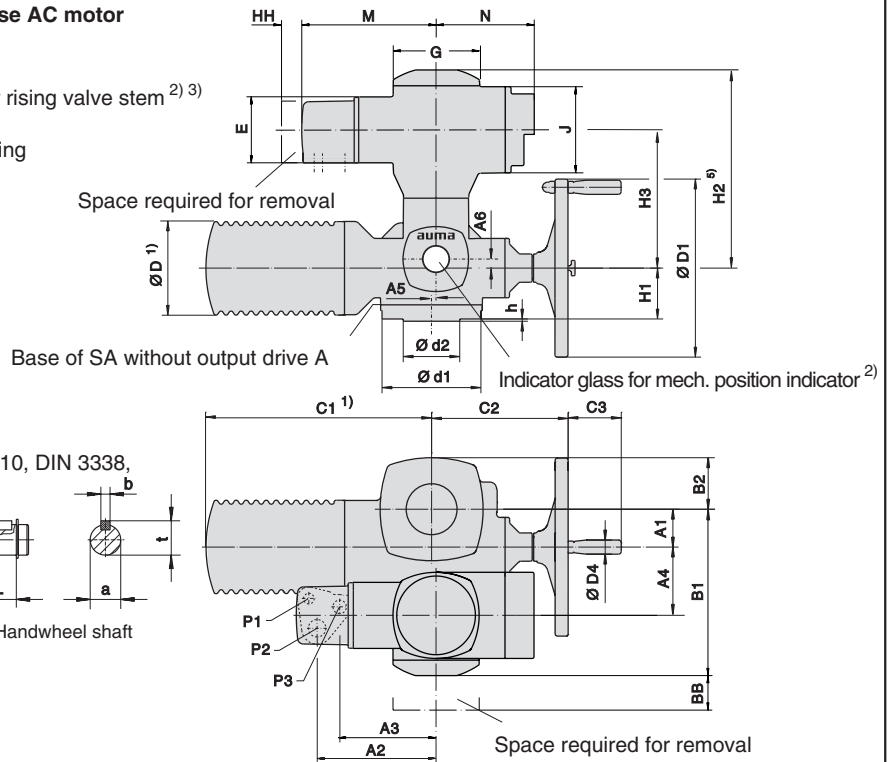
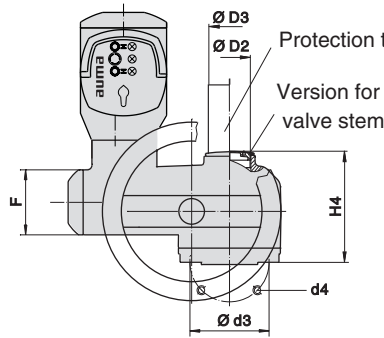


Dimensions Multi-turn actuators with integral controls AUMA MATIC

SA 07.2 – SA 16.2
SAR 07.2 – SAR 16.2
AM 01.1 – AM 02.1

With AUMA plug/socket connector and 3-phase AC motor



Output drives according to EN ISO 5210, DIN 3210, DIN 3338, dimensions see next page

- 1) Exact dimensions according to motor used
- 2) Only if ordered additionally
- 3) In steps of 100 mm length each
- 4) Standard, other threads on request

Dimensions	Multi-turn actuator type					
	SA 07.2/AM 01.1 SAR 07.2/AM 01.1	SA 07.6/AM 01.1 SAR 07.6/AM 01.1	SA 10.2/AM 01.1 SAR 10.2/AM 01.1	SA 14.2/AM 02.1 SAR 14.2/AM 02.1	SA 14.6/AM 02.1 SAR 14.6/AM 02.1	SA 16.2/AM 02.1 SAR 16.2/AM 02.1
EN ISO 5210/DIN 3210	F07 (F10/G0)	F07 (F10/G0)	F10 (G0)	F14 (G1/2)	F14 (G1/2)	F16 (G3)
A1	40	40	50	67	67	80
A2	199	199	199	209	209	209
A3	159	159	159	169	169	169
A4	103	103	103	119	119	123,5
A5	–	–	–	8	8	15
A6	–	–	–	16	16	20
B1	238	238	248	286	286	303
B2	62	62	65	91	91	117
C1 1)	65	265	283	389	389	430
C2	186	186	191	242	245	271
C3	63	63	63	94	94	94
Ø D	101	101	121	153	153	190
Ø D1	160	160	200	315	400	500
Ø D2	G 1 1/4 "	G 1 1/4 "	G 2 "	G 2 1/2 "	G 2 1/2 "	G 3 "
Ø D3	42 x 3.3	42 x 3.3	60 x 3.7	76 x 3.7	76 x 3.7	89 x 4.1
Ø D4	20	20	20	25	25	25
E	115	115	115	115	115	115
F	115	115	115	115	115	115
G	150	150	150	150	150	150
H1	78	78	80	90	90	110
H2	340	340	340	411	411	415
H3	232	232	232	248	248	252
H4	160	160	170	196	196	235
J	150	150	150	150	150	150
L	20	20	24	38,8	45,8	45,8
M	235	235	235	235	235	235
N	171	171	171	171	171	171
P1 4)	M20 x 1.5	M20 x 1.5	M20 x 1.5	M20 x 1.5	M20 x 1.5	M20 x 1.5
P2 4)	M32 x 1.5	M32 x 1.5	M32 x 1.5	M32 x 1.5	M32 x 1.5	M32 x 1.5
P3 4)	M25 x 1.5	M25 x 1.5	M25 x 1.5	M25 x 1.5	M25 x 1.5	M25 x 1.5
BB min.	180	180	180	180	180	180
HH min.	30	30	30	30	30	30
Ø a	20 d7	20 d7	20 d7	30 d7	30 d7	30 d7
b	6	6	6	8	8	8
Ø d 1	90 (125)	90 (125)	125	175	175	210
Ø d 2	55 (70/60)	55 (70/60)	70 (60)	100	100	130
Ø d 3	70 (102)	70 (102)	102	140	140	165
d 4	4 x M8 (4 x M10)	4 x M8 (4 x M10)	4 x M10	4 x M16	4 x M16	4 x M20
h	3	3	3	4	4	5
t	22.5	22.5	22.5	33	33	33

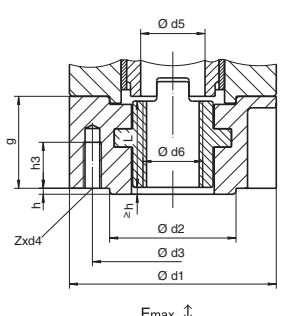
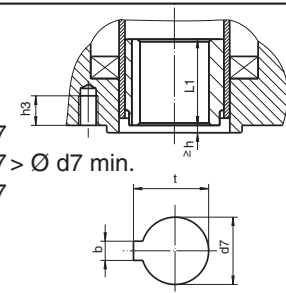
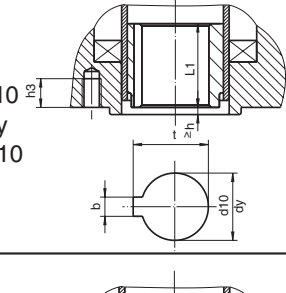
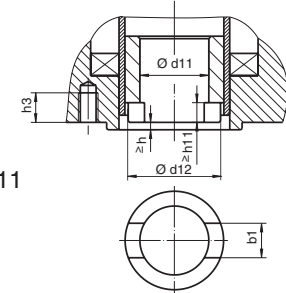
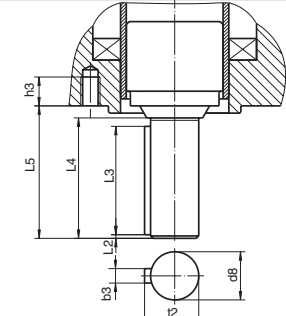
We reserve the right to alter data according to improvements made. Previous documents become invalid with the issue of this document.

auma®

Issue 1.11

1/2

Y004.995/002/en

Output drives	Dimensions		AUMA multi-turn actuator type									
			SA 07.2/SA 07.6			SA 10.2		SA 14.2/SA14.6		SA 16.2		
Stem nut Type EN ISO 5210 A DIN 3210 A 	EN ISO 5210	DIN 3210	F07	F10	G0	F10	G0	F14	G1/2	F16	G3	
	F max. kN		40	40	40	70	70	160		250		
	Ø d1		90	125	125	125	125	175		210		
	Ø d2		55	70	60	70	60	100		130		
	Ø d3		70	102	102	102	102	140		165		
	d4		M8	M10	M10	M10	M10	M16		M20		
	Ø d5		34	35	35	42	42	60		80		
	Ø d6 max.		26	34	34	40	40	57		75		
	g		40	50	50	50	50	65		80		
	h		3	3	3	3	3	4		5		
	h3		12	15	15	15	15	25		35		
	L		37	47	47	47	47	60		75		
	Z		4	4	4	4	4	4		4		
	Weight	kg	1.1	2.8	2.8	2.8	2.8	6.8		11.7		
	Plug sleeve ³⁾ Type EN ISO 5210 B 1 = Ø d7 EN ISO 5210 B 2 < Ø d7 > Ø d7 min. DIN 3210 B = Ø d7 	b JS 9 ¹⁾		8	12	12	12	12	18		22	
		Ø d7 H9		28	42	42	42	42	60		80	
		Ø d7 min.		20	30	30	30	30	45		60	
h3			12	13	13	15	15	25		30		
L1			35	45	45	45	45	65		80		
t ¹⁾			31.3	45.3	45.3	45.3	45.3	64.4		85.4		
Weight		kg										
Bore with keyway ³⁾ Type EN ISO 5210 B 3 = Ø d10 EN ISO 5210 B 4 ≤ Ø dy DIN 3210 E = Ø d10 	b JS 9 ¹⁾		5	6	6	6	6	8		12		
	Ø d10 H9		16	20	20	20	20	30		40		
	Ø dy max.		20	30	30	30	30	45		60		
	h3		12	13	13	15	15	25		30		
	L1		35	45	45	45	45	65		80		
	t ¹⁾		18.3	22.8	22.8	22.8	22.8	33.3		43.3		
	Weight	kg	0.1	0.1	0.1	0.4	0.4	1.1		2.4		
Dog coupling ³⁾ Type DIN 3338 C = Ø d11 	b1 H11		14*	14	14	14	14	20		24		
	Ø d11 H11		28*	28	28	28	28	38		47		
	Ø d11 min.		–	20	20	20	20	30		40		
	Ø d11 max. ²⁾		–	42	42	42	42	60		80		
	d12		36.8	51.8	51.8	51.8	51.8	73.8		98		
	h3		12	13	13	15	15	25		30		
	h11		7*	7	7	7	7	8		10		
Shaft coupling Type DIN 3210 D 	Ø d8 g6		–	–	20	–	20	–	30	–	40	
	b3 h9		–	–	6	–	6	–	8	–	12	
	h3		–	–	13	–	15	–	25	–	30	
	L2		–	–	1.5	–	1.5	–	2	–	3	
	L3		–	–	45	–	45	–	63	–	80	
	L4		–	–	50	–	50	–	70	–	90	
	L5		–	–	55	–	55	–	76	–	97	
	t2		–	–	22.5	–	22.5	–	33	–	43	
	Weight	kg	–	–	0.4	–	0.7	–	2	–	4.3	

1) Dimensions depend on Ø d7 / Ø d10, refer to DIN 6885-1

2) For rising valve stem Ø d11 max. = Ø d5 of type A

3) Weight included in actuator

* Dimensions outside DIN 3338

We reserve the right to alter data according to improvements made. Previous documents become invalid with the issue of this document.