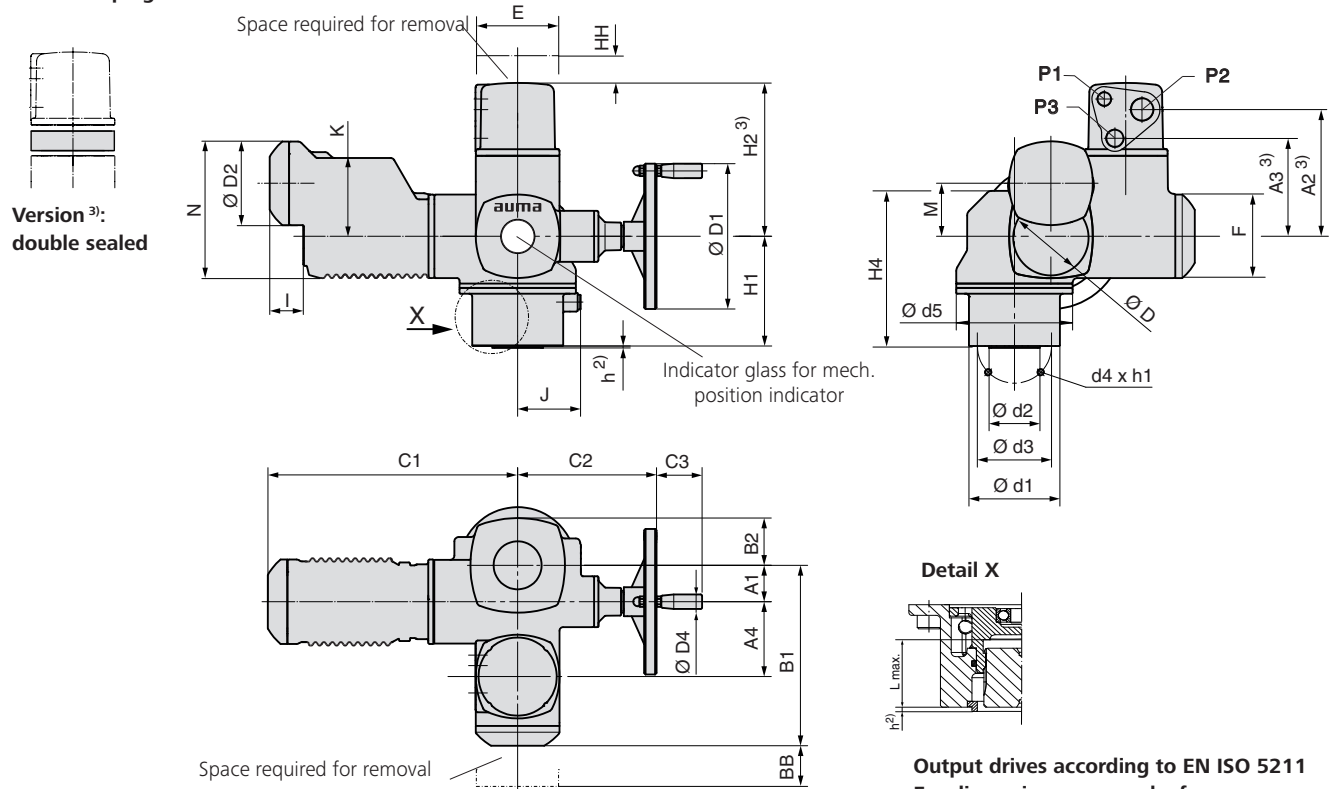


Dimensions Part-turn actuators with 1-ph AC motor

with AUMA plug/socket connector



Output drives according to EN ISO 5211
For dimensions see overleaf

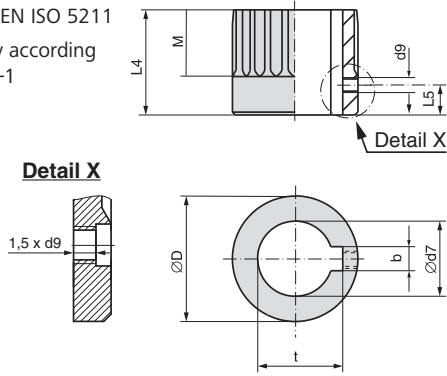
- 1) Standard, other threads on request
- 2) Allowance for spigot is not available as standard The spigot ring is a separate component, available as option.
- 3) Option: Enclosure protection IPxx-DS, cover for electrical connection with additional frame
- 4) Combined flange F05/F07 without spigot (standard). As an alternative an individual flange F07 can be ordered with/without spigot

Dimensions	SQ 05.2		SQ 07.2			SQ 10.2		SQ 12.2		SQ 14.2	
	F05 ⁴⁾	F07 ⁴⁾	F05 ⁴⁾	F07 ⁴⁾	F10	F10	F12	F12	F14	F14	F16
A1		40					50		50		50
A2 ³⁾		174 (201 ³⁾)					174 (201 ³⁾)		174 (201 ³⁾)		174 (201 ³⁾)
A3 ³⁾		134 (161 ³⁾)					134 (161 ³⁾)		134 (161 ³⁾)		134 (161 ³⁾)
A4		103					103		103		103
B1		238					248		248		248
B2		50					65		65		65
C1		343					343		343		343
C2		186					191		191		191
C3		63					63		63		63
Ø D		107					107		107		107
Ø D1		160					200		200		200
Ø D2		115					115		115		115
Ø D4		20					20		20		20
E		115					115		115		115
F		115					115		115		115
H1	134		134		160	151	183	175	215	210	260
H2 ³⁾		210 (237 ³⁾)					210 (237 ³⁾)		210 (237 ³⁾)		210 (237 ³⁾)
H4	193		193		217	214	246	238	278	273	323
I		46					46		46		46
J		69					86		109		128
K		108					108		108		108
L max.	40		40		66	50	82	61	101	75	125
M		73					73		73		73
N		188					188		188		188
P1 ¹⁾		M20 x 1.5					M20 x 1.5		M20 x 1.5		M20 x 1.5
P2 ¹⁾		M32 x 1.5					M32 x 1.5		M32 x 1.5		M32 x 1.5
P3 ¹⁾		M25 x 1.5					M25 x 1.5		M25 x 1.5		M25 x 1.5
BB min.		180					180		180		180
HH min.		30					30		30		30
Ø d1	90		90		125	125	150	150	175	175	210
Ø d2	-		-		70	70	85	85	100	100	130
Ø d3	50	70	50	70	102	102	125	125	140	140	165
d4	4 x M6	4 x M8	4 x M6	4 x M8	4 x M10	4 x M10	4 x M12	4 x M12	4 x M16	4 x M16	4 x M20
Ø d5		125				160		210		225	
h ²⁾	-		-		2.5	2.5		2.5	3.5	3.5	4.5
h1	12	15	12	15	16	18	19	22	25	29	32

We reserve the right to alter data according to improvements made. Previous documents become invalid with the issue of this document.

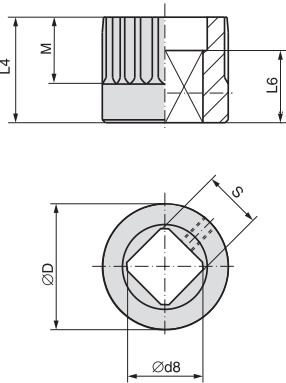
Dimensions Couplings according to EN ISO 5211

Bore acc. to EN ISO 5211
With keyway according to DIN 6885-1



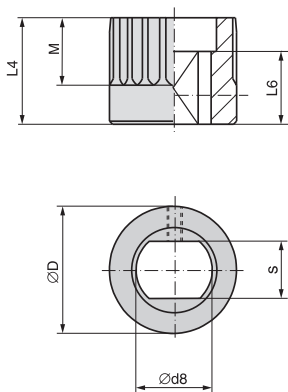
Dimensions	SQ 05.2		SQ 07.2		SQ 10.2		SQ 12.2		SQ 14.2	
EN ISO 5211	F05	F07	F07	F10	F10	F12	F12	F14	F14	F16
Ø D	41.75	41.75	41.75	51.75	51.75	51.75	67.6	67.6	81.6	81.6
b JS9 ¹⁾	6	6	6	8	8	8	10	10	14	14
Ø d7 H8 ²⁾	18	22	22	28	28	28	36	36	48	48
Ø d7 max.	25.4	25.4	25.4	38	38	38	50	50	60	60
d9 ³⁾	M5	M5	M5	M6	M6	M6	M6	M6	M6	M6
L4	35	35	60	45	75	75	55	95	65	115
L5 ³⁾	8	8	8	10	10	10	10	10	10	10
M	20	20	20	30	30	30	40	40	47	40
t ¹⁾	20.8	24.8	24.8	31.3	31.3	31.3	39.3	39.3	51.8	51.8

Square bore
According to EN ISO 5211



Dimensions	SQ 05.2		SQ 07.2		SQ 10.2		SQ 12.2		SQ 14.2	
EN ISO 5211	F05	F07	F07	F10	F10	F12	F12	F14	F14	F16
Ø D	41.75	41.75	41.75	51.75	51.75	51.75	67.6	67.6	81.6	81.6
Ø d8 min. ²⁾	18.1	22.2	22.2	28.2	28.2	28.2	36.2	36.2	48.2	48.2
Ø d8 max.	28.2	28.2	28.2	40.2 ⁴⁾	40.2 ⁴⁾	40.2 ⁴⁾	48.2	48.2	60.2	60.2
L4	35	35	60	45	75	75	55	95	65	115
L6 min.	30	30	30	30	30	30	30	30	40	40
M	20	20	20	30	30	30	40	40	47	40
s H11 ²⁾	14	17	17	22	22	22	27	27	36	36
s H11 max.	22	22	22	30 ⁴⁾	30 ⁴⁾	30 ⁴⁾	36	36	46	46

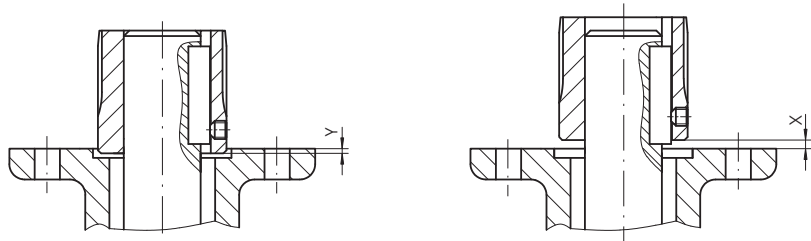
Bore with two-flats
According to EN ISO 5211



Dimensions	SQ 05.2		SQ 07.2		SQ 10.2		SQ 12.2		SQ 14.2	
EN ISO 5211	F05	F07	F07	F10	F10	F12	F12	F14	F14	F16
Ø D	41.75	41.75	41.75	51.75	51.75	51.75	67.6	67.6	81.6	81.6
Ø d8 min. ²⁾	18.1	22.2	22.2	28.2	28.2	28.2	36.2	36.2	48.2	48.2
Ø d8 max.	28.2	28.2	28.2	36.2	36.2	36.2	48.2 (48 ⁵⁾)	48.2 (48 ⁵⁾)	60.2	60.2
L4	35	35	60	45	75	75	55	95	65	115
L6 min.	25	25	25	25	25	25	30	30	40	40
M	20	20	20	30	30	30	40	40	47	40
s H11 ²⁾	14	17	17	22	22	22	27	27	36	36
s H11 max.	22	22	22	27	27	27	36 (41 ⁵⁾)	36 (41 ⁵⁾)	46	46

Mounting position of coupling

X max.	3	4	5	8
Y max.	2	5	10	10



- 1) Dimensions depend on Ø d7, refer to DIN 6885-1
- 2) Recommended size according to EN ISO 5211
- 3) Thread with grub screw
- 4) According to DIN 79
- 5) According to DIN 475

We reserve the right to alter data according to improvements made. Previous documents become invalid with the issue of this document.