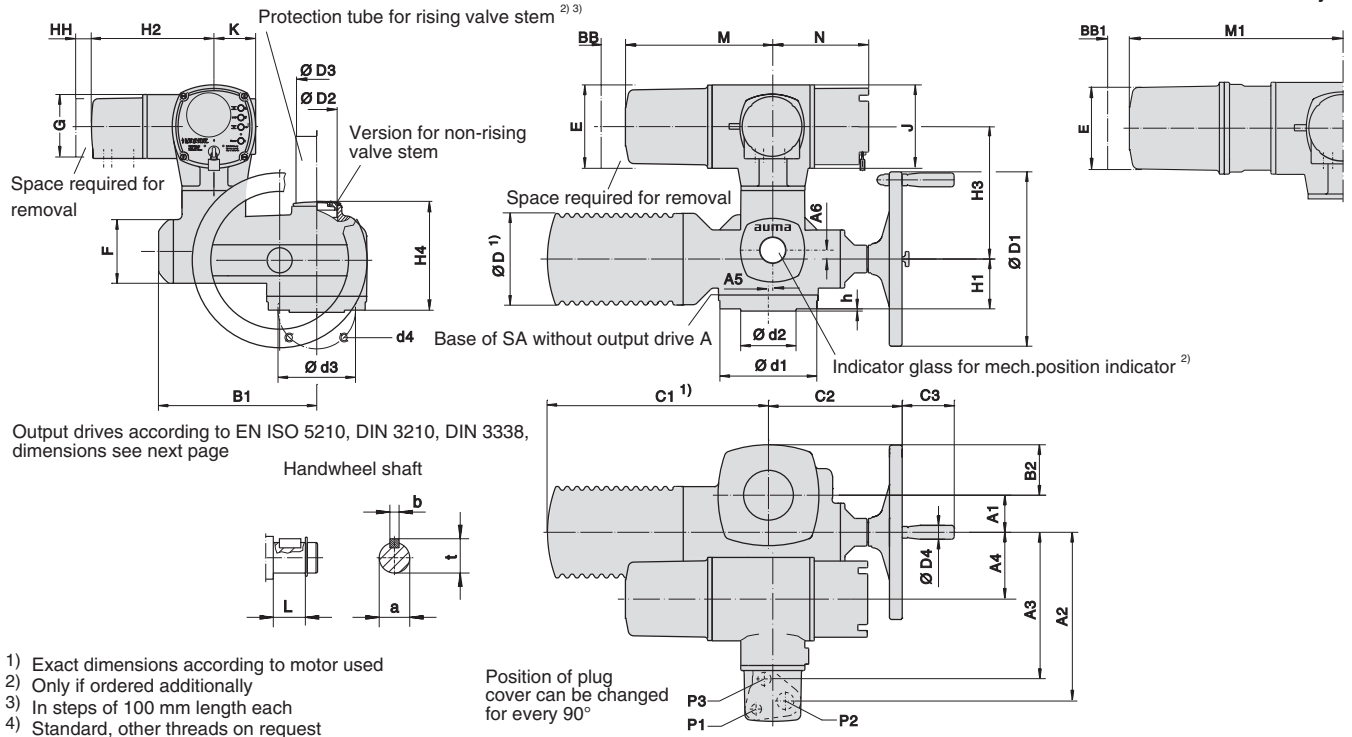


Dimensions Multi-turn actuators with integral controls AUMATIC

**SA 07.2 – SA 16.2
SAR 07.2 – SAR 16.2
AC 01.2**

With AUMA plug/socket connector and 3-phase AC motor

Version with thermal overload relay



Output drives according to EN ISO 5210, DIN 3210, DIN 3338, dimensions see next page

Handwheel shaft

- 1) Exact dimensions according to motor used
- 2) Only if ordered additionally
- 3) In steps of 100 mm length each
- 4) Standard, other threads on request

Position of plug cover can be changed for every 90°

Dimensions	Multi-turn actuator type					
	SA 07.2/AC 01.2 SAR 07.2/AC 01.2	SA 07.6/AC 01.2 SAR 07.6/AC 01.2	SA 10.2/AC 01.2 SAR 10.2/AC 01.2	SA 14.2/AC 01.2 SAR 14.2/AC 01.2	SA 14.6/AC 01.2 SAR 14.6/AC 01.2	SA 16.2/AC 01.2 SAR 16.2/AC 01.2
EN ISO 5210/DIN 3210	F07 (F10/G0)	F07 (F10/G0)	F10 (G0)	F14 (G1/2)	F14 (G1/2)	F16 (G3)
A1	40	40	50	67	67	80
A2	287	287	287	303	303	303
A3	247	247	247	263	263	263
A4	103	103	103	119	119	123.5
A5	–	–	–	8	8	15
A6	–	–	–	16	16	20
B1	238	238	248	286	286	303
B2	62	62	65	91	91	117
C1	265	265	283	389	389	430
C2	186	186	191	242	245	271
C3	63	63	63	94	94	94
Ø D	101	101	121	153	153	190
Ø D1	160	160	200	315	400	500
Ø D2	G 1 1/4"	G 1 1/4"	G 2"	G 2 1/2"	G 2 1/2"	G 3"
Ø D3	42 x 3.3	42 x 3.3	60 x 3.7	76 x 3.7	76 x 3.7	89 x 4.1
Ø D4	20	20	20	25	25	25
E	150	150	150	150	150	150
F	115	115	115	115	115	115
G	115	115	115	115	115	115
H1	78	78	80	90	90	110
H2	220	220	220	220	220	220
H3	225	225	225	241	241	245
H4	160	160	170	196	196	235
J	150	150	150	150	150	150
K	75	75	75	75	75	75
L	20	20	24	38.8	45.8	45.8
M	265	265	265	265	265	265
M1	349	349	349	349	349	349
N	173	173	173	173	173	173
P1 4)	M20 x 1.5	M20 x 1.5	M20 x 1.5	M20 x 1.5	M20 x 1.5	M20 x 1.5
P2 4)	M32 x 1.5	M32 x 1.5	M32 x 1.5	M32 x 1.5	M32 x 1.5	M32 x 1.5
P3 4)	M25 x 1.5	M25 x 1.5	M25 x 1.5	M25 x 1.5	M25 x 1.5	M25 x 1.5
BB min.	70	70	70	70	70	70
BB 1 min.	90	90	90	90	90	90
HH min.	30	30	30	30	30	30
a	20 d7	20 d7	20 d7	30 d7	30 d7	30 d7
b	6	6	6	8	8	8
Ø d 1	90 (125)	90 (125)	125	175	175	210
Ø d 2	55 (70/60)	55 (70/60)	70 (60)	100	100	130
Ø d 3	70 (102)	70 (102)	102	140	140	165
d 4	4 x M8 (4 x M10)	4 x M8 (4 x M10)	4 x M10	4 x M16	4 x M16	4 x M20
h	3	3	3	4	4	5
t	22.5	22.5	22.5	33	33	33

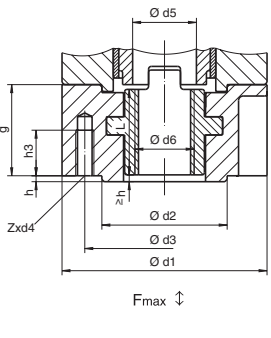
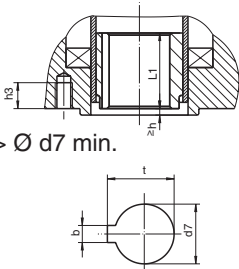
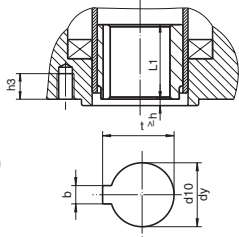
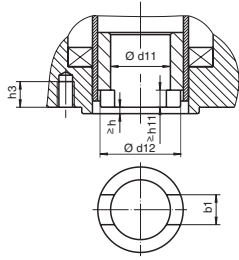
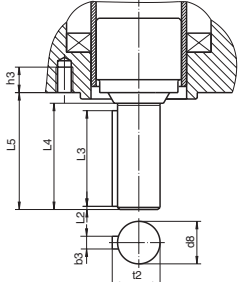
We reserve the right to alter data according to improvements made. Previous documents become invalid with the issue of this document.

auma®

Issue 1.11

1/2

Y004.866/002/en

Output drives	Dimensions	AUMA multi-turn actuator type										
		SA 07.2/SA 07.6			SA 10.2		SA 14.2/SA14.6		SA 16.2			
<p>Stem nut</p> <p>Type EN ISO 5210 A DIN 3210 A</p>  <p>Arrangement of holes d4</p>	EN ISO 5210	DIN 3210	F07	F10	G0	F10	G0	F14	G1/2	F16	G3	
	F max. kN			40	40	40	70	70	160		250	
	Ø d1			90	125	125	125	125	175		210	
	Ø d2			55	70	60	70	60	100		130	
	Ø d3			70	102	102	102	102	140		165	
	d4			M8	M10	M10	M10	M10	M16		M20	
	Ø d5			34	35	35	42	42	60		80	
	Ø d6 max.			26	34	34	40	40	57		75	
	g			40	50	50	50	50	65		80	
	h			3	3	3	3	3	4		5	
	h3			12	15	15	15	15	25		35	
	L			37	47	47	47	47	60		75	
	Z			4	4	4	4	4	4		4	
	Weight	kg		1.1	2.8	2.8	2.8	2.8	6.8		11.7	
	<p>Plug sleeve³⁾</p> <p>Type EN ISO 5210 B 1 = Ø d7 EN ISO 5210 B 2 < Ø d7 > Ø d7 min. DIN 3210 B = Ø d7</p>  <p>Missing dimensions refer to output drive A</p>	b JS 9 ¹⁾		8	12	12	12	12	18		22	
		Ø d7 H9			28	42	42	42	42	60		80
Ø d7 min.				20	30	30	30	30	45		60	
h3				12	13	13	15	15	25		30	
L1				35	45	45	45	45	65		80	
t ¹⁾				31.3	45.3	45.3	45.3	45.3	64.4		85.4	
Weight		kg										
<p>Bore with keyway³⁾</p> <p>Type EN ISO 5210 B 3 = Ø d10 EN ISO 5210 B 4 ≤ Ø dy DIN 3210 E = Ø d10</p>  <p>Missing dimensions refer to output drive A</p>	b JS 9 ¹⁾		5	6	6	6	6	8		12		
	Ø d10 H9			16	20	20	20	20	30		40	
	Ø dy max.			20	30	30	30	30	45		60	
	h3			12	13	13	15	15	25		30	
	L1			35	45	45	45	45	65		80	
	t ¹⁾			18.3	22.8	22.8	22.8	22.8	33.3		43.3	
	Weight	kg		0.1	0.1	0.1	0.4	0.4	1.1		2.4	
<p>Dog coupling³⁾</p> <p>Type DIN 3338 C = Ø d11</p>  <p>Missing dimensions refer to output drive A</p>	b1 H11		14*	14	14	14	14	20		24		
	Ø d11 H11			28*	28	28	28	28	38		47	
	Ø d11 min.			–	20	20	20	20	30		40	
	Ø d11 max. ²⁾			–	42	42	42	42	60		80	
	Ø d12			36.8	51.8	51.8	51.8	51.8	73.8		98	
	h3			12	13	13	15	15	25		30	
	h11			7*	7	7	7	7	8		10	
<p>Shaft coupling</p> <p>Type DIN 3210 D</p>  <p>Missing dimensions refer to output drive A</p>	Ø d8 g6		–	–	20	–	20	–	30	–	40	
	b3 h9			–	–	6	–	6	–	8	–	12
	h3			–	–	13	–	15	–	25	–	30
	L2			–	–	1.5	–	1.5	–	2	–	3
	L3			–	–	45	–	45	–	63	–	80
	L4			–	–	50	–	50	–	70	–	90
	L5			–	–	55	–	55	–	76	–	97
	t2			–	–	22.5	–	22.5	–	33	–	43
	Weight	kg		–	–	0.4	–	0.7	–	2	–	4.3

1) Dimensions depend on Ø d7 / Ø d10, refer to DIN 6885-1

2) For rising valve stem Ø d11 max. = Ø d5 of type A

3) Weight included in actuator

* Dimensions outside DIN 3338

We reserve the right to alter data according to improvements made. Previous documents become invalid with the issue of this document.