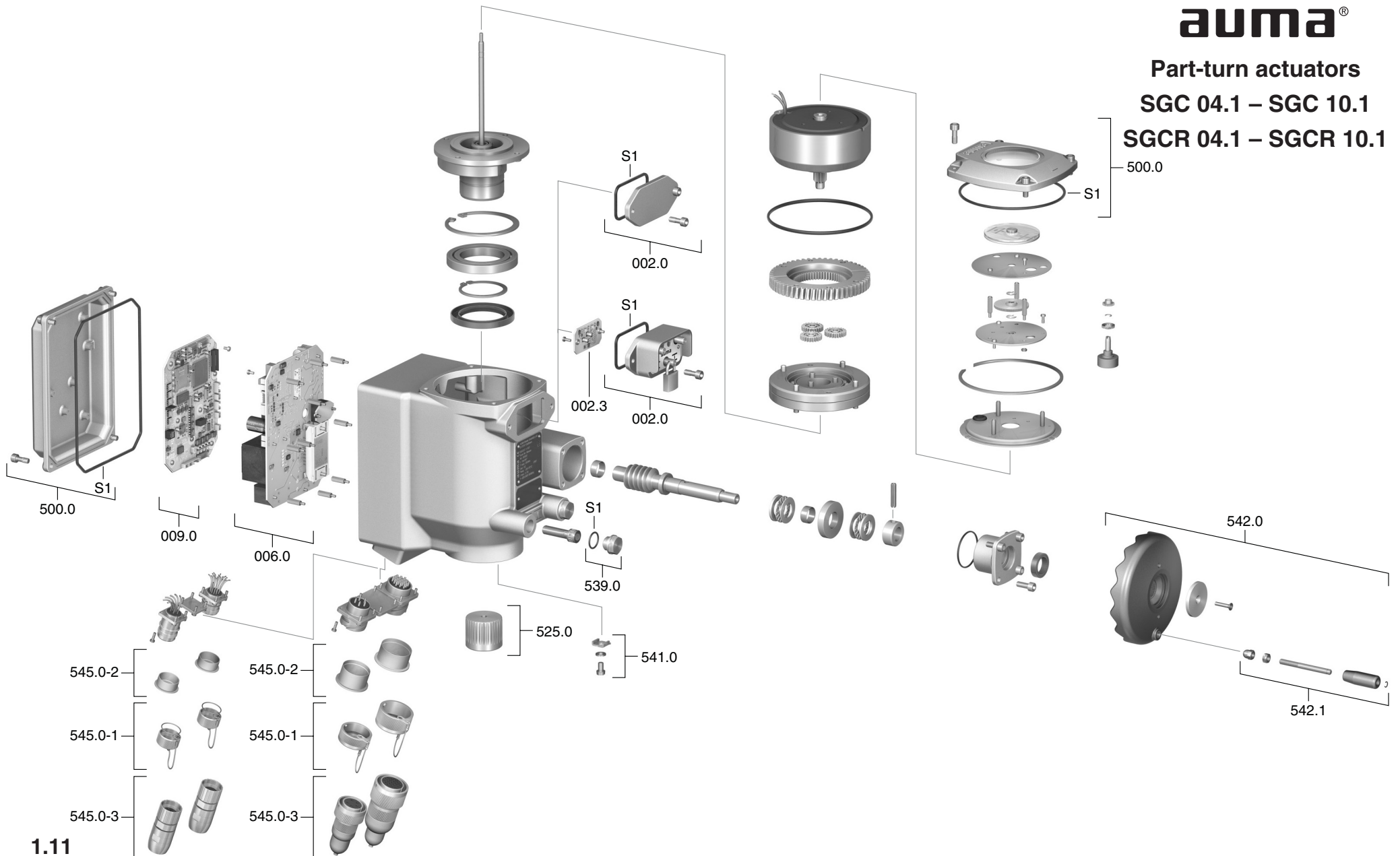


# Spare parts list

## **auma**<sup>®</sup>

### Part-turn actuators

#### SGC 04.1 – SGC 10.1 SGCR 04.1 – SGCR 10.1



Please state type and commission no. of the device (see name plate) when ordering spare parts. Only original AUMA spare parts should be used. Failure to use original spare parts voids the warranty and exempts AUMA from any liability. Delivered spare parts may slightly vary from the representation.

No.	Designation	Type
002.0-1	Local controls	Sub-assembly
002.0-2	Cover for local controls	Sub-assembly
002.3	Local controls board	Sub-assembly
006.0	Power supply / switchgear	Sub-assembly
009.0	Logic board	Sub-assembly
500.0-1	Cover for switch compartment	Sub-assembly
500.0-2	Cover for electronics compartment	Sub-assembly
525.0	Coupling	Sub-assembly
539.0	Screw plug	Sub-assembly
541.0	Terminal for protective earth	Sub-assembly
542.0	Handwheel	Sub-assembly
542.1	Ball handle	Sub-assembly
545.0-1	Protective cap with cord	Sub-assembly
545.0-2	Protective cap without cord	Sub-assembly
545.0-3	Mating plug	Sub-assembly
S1	Seal kit, small	Set

We reserve the right to alter data according to improvements made. Previous documents become invalid with the issue of this document.