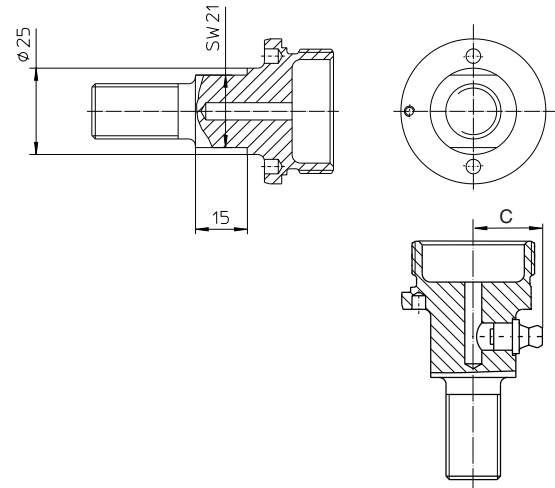


Coupling stud LE 25.1



Dimensions	LE 12.1		LE 25.1		LE 50.1	LE 70.1/ LE 100.1	LE 200.1
	F07	F10	F07	F10	F10	F14	F16
DIN 3358	F07	F10	F07	F10	F10	F14	F16
C	18		21		24	26	29
D	37		42		43	63	76
E ±0.2	45		50		55	75	90
L1	25		30		35	-	-
L2	20		25		30	55	65
Ø d1	□ 75	125	□ 75	125	125	175	210
Ø d2	(55 _{g7} = d6) ¹⁾	70 _{f8}	(55 _{g7} = d6) ¹⁾	70 _{f8}	70 _{g7} ¹⁾	100 _{f8}	130 _{f8}
Ø d3	70	102	70	102	102	140	165
Ø d4 (4 x)	M8	11 ¹⁾	M8	11 ¹⁾	11 ¹⁾	18 ¹⁾	M20
Ø d5	20		25		32	36	42
Ø d6 _{g7}	-	55 ²⁾	-	55 ²⁾	-	-	120
Ø d8	M12 x 1.25		M16 x 1.5		M20 x 1-5	M36 x 3	M42 x 3
Ø d9 -0.1	42		42		55	70	100
h	3.4 ¹⁾	3	3.4 ¹⁾	3	3.4 ¹⁾	4	4 ¹⁾
h1	-	0.5	-	0.5	-	-	0.5
h3	-	15	-	15	15	18	-
h4	20	-	20	-	-	-	32
Bolts/screws min.	Quality 8.8						
Grease nipple A-D8 acc. to	DIN 71412						

1) Dimensions outside DIN 3358

2) Centering for F07

We reserve the right to alter data according to improvements made. Previous documents become invalid with the issue of this document.